

Media Number : 000035-24 M

Issue Date: 07/16/2024

Model And Serial Number(s):

FGC35K, FGC40K, FGC55K, FGC60K, FGC70K
AF87B-10011-19999, AF88B-10011-19999,
AF89B-10011-19999

Subject: Lift Link retrofit kit option.

Solution:

Lift Link retrofit kit installation guide.

WARNING

- Do not operate a lift truck unless you are qualified and authorized and have read and understand the Operation and Maintenance Manual (OMM) or Operating Instructions (BL).
- Do not perform service or repair on lift trucks unless you are qualified and authorized and have read and understand the Service Manual or Service Handbook (SH) and any applicable safety guidelines prior to working on equipment.
- Improper operation, service, or repair could result in injury or death.
- Make all repairs with the lift truck parked on a level, hard surface. Block the lift truck to prevent rolling while working on, or under, the lift truck. Use a tire cage if tires are to be replaced or worked on.
- Ensure enforcement of company policy for proper LOCKOUT/TAGOUT procedure. (Please refer to HPK article 000019-15 for general guidelines)
- Disconnect battery prior to working on any electrical components or welding.
- Obey all safety guidelines when welding on or near flammable fluids. Always have an approved fire extinguisher on hand.

Topic:

Lift Link Retrofit Kit Option

Cause/Discussion:

Lift Link telematic retrofit kits will be available on DealerNet in 2024. See the Lift Link product page on the Logisnext Dealer Portal for an up-to-date product availability guide and other information.

Solution:

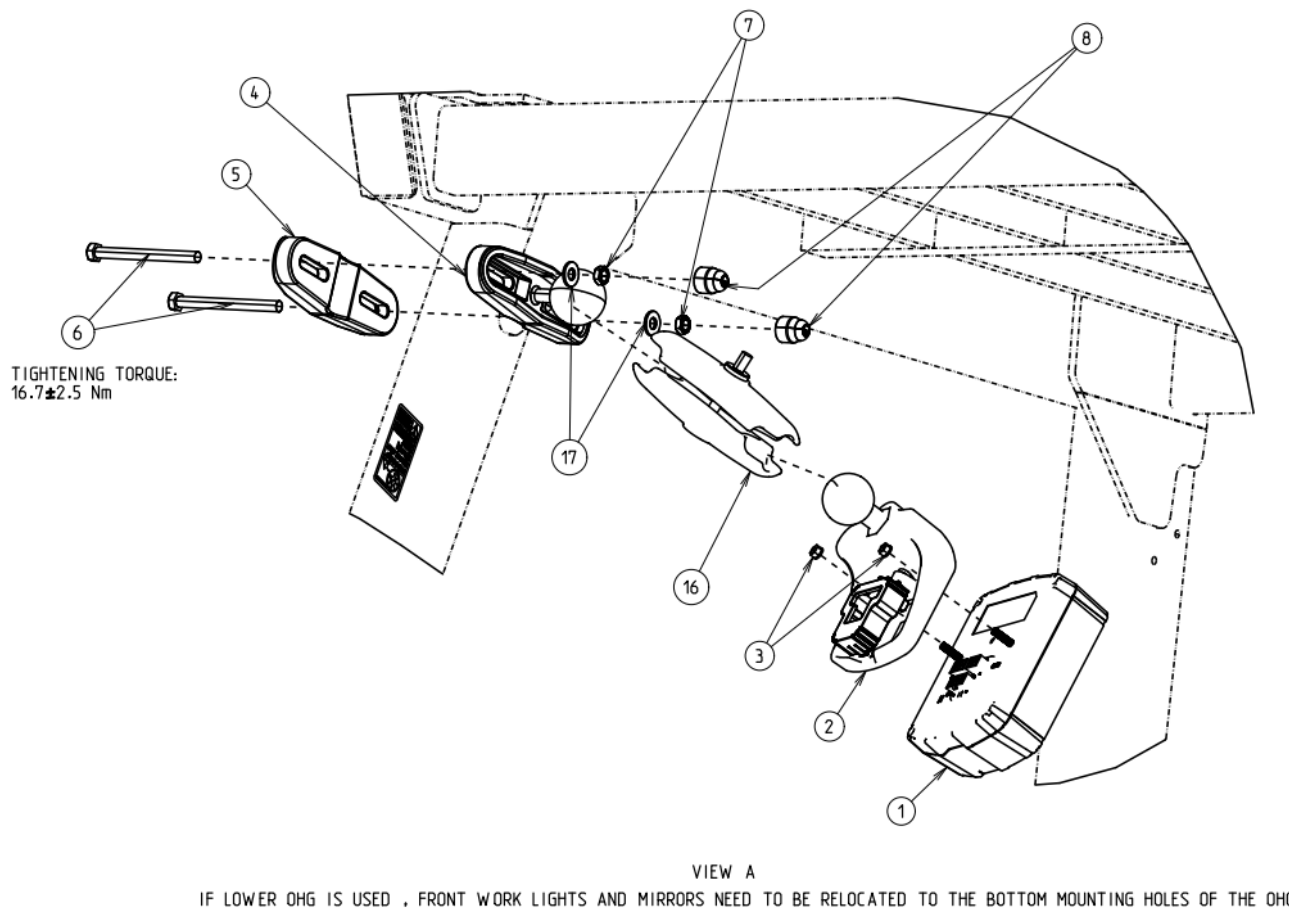
Service Engineering has created an installation guide for the Lift Link retrofit kit option.

Tools Required:

- Basic tool set
- Torx bit set
- Wire side cutter pliers

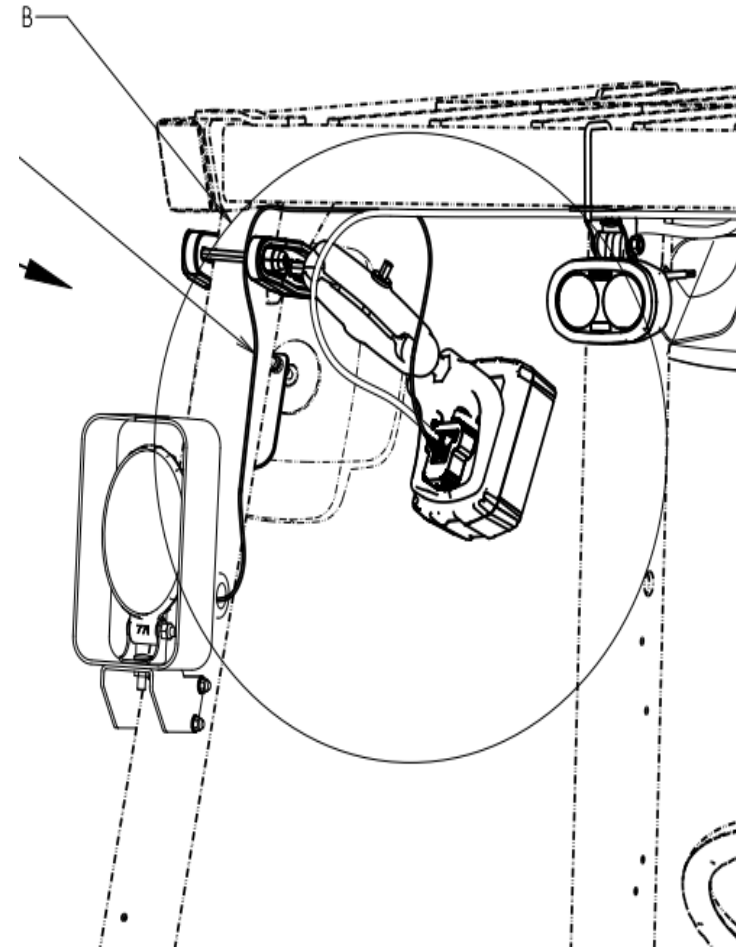
Lift Link Retrofit Kit Option

- Install the VAC bracket to the overhead guard using the hardware as shown. Install the telematic display (1) to the VAC4 cradle (2) using hardware (3).



Lift Link Retrofit Kit Option

- Mount display to the overhead guard as shown below.



Lift Link Retrofit Kit Option

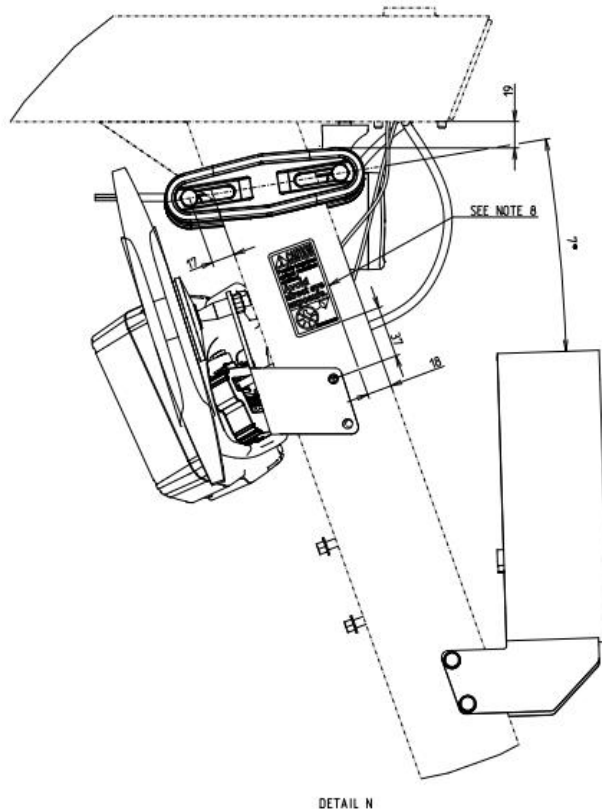
Logisnext

- If truck is equipped with shift indicator, temporarily remove the shift indicator to feed cables through the overhead guard hole.



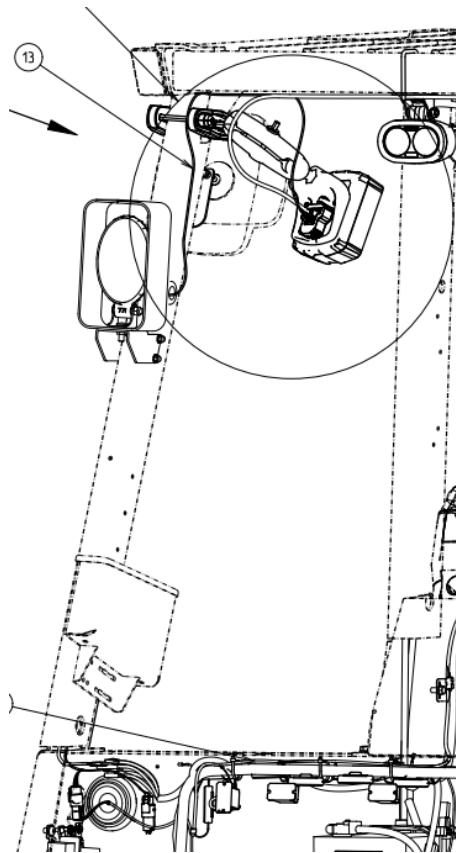
Lift Link Retrofit Kit Option

- Adjust the VAC display orientation so that is facing towards the operator and should be easily accessible to the operator. It **MUST NOT** obstruct the operator's line of sight.



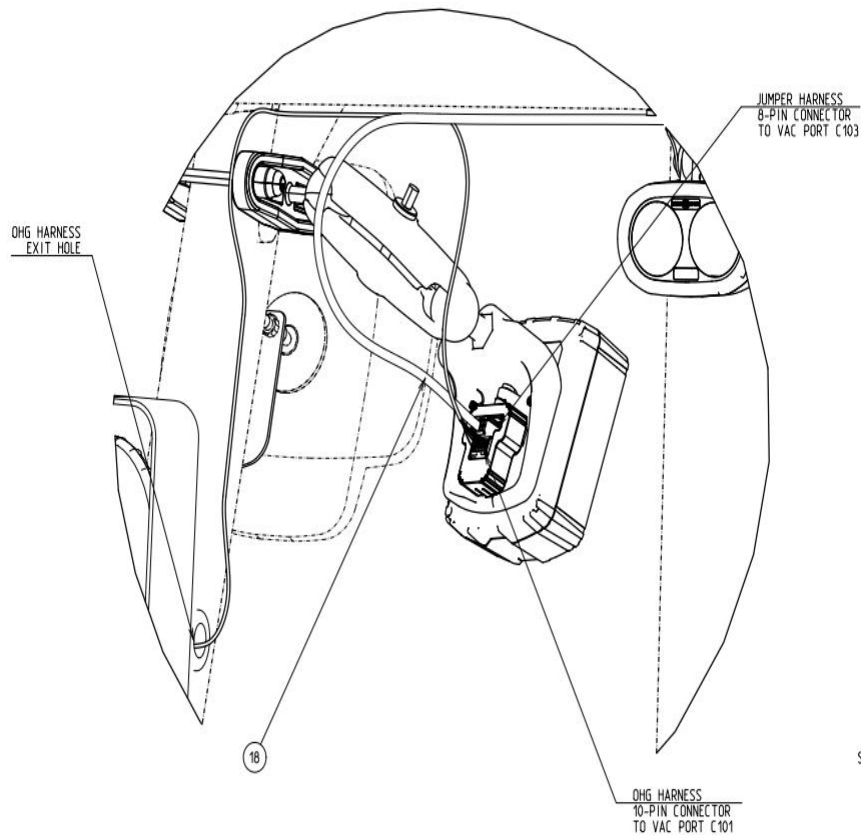
Lift Link Retrofit Kit Option

- Run telematic overhead guard harness (13) through the overhead guard leg as shown. To prevent mechanical damage, add spiral wrap/wire loom to the entire exposed wire. The photos shown are for routing illustration purposes only.



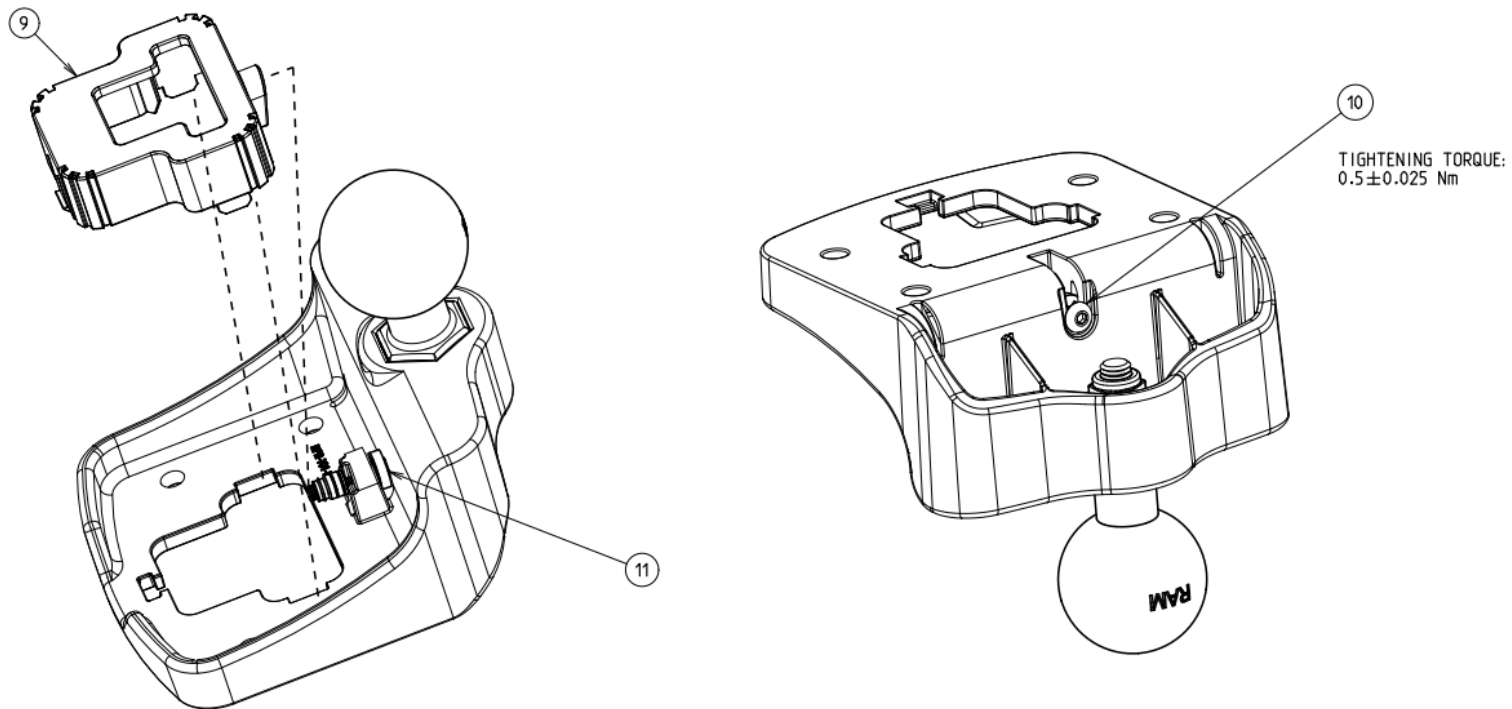
Lift Link Retrofit Kit Option

- Connect the telematic harness 10-pin connector to VAC port C101 and the 8-pin male connector of jumper harness to VAC port C103.



Lift Link Retrofit Kit Option

- Align and snap into position cable cover (9). Slide retaining washer (11) from the cable cover into the pocket. While holding retaining washer in place, fasten screw (10) through retaining washer into cable cover.

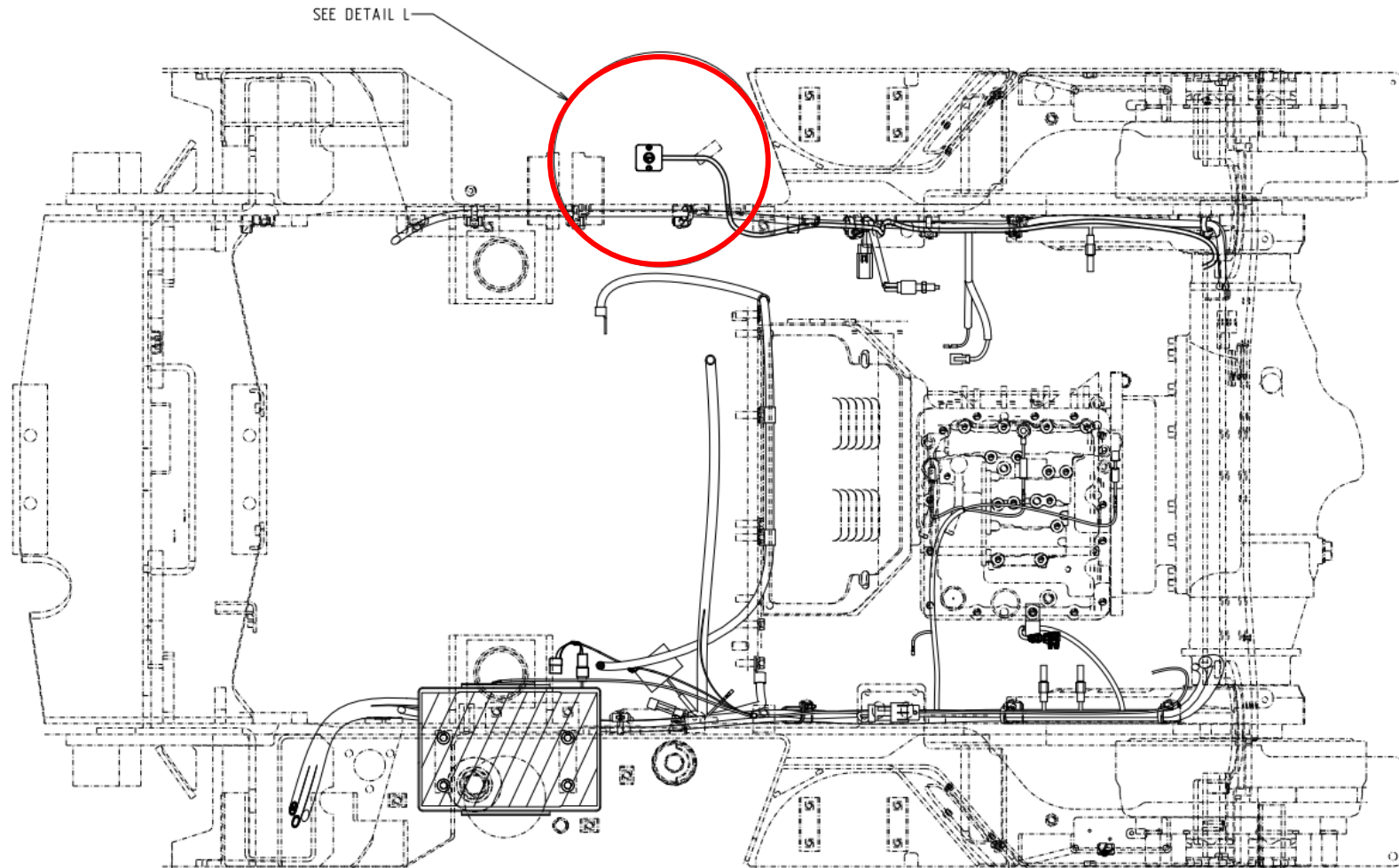


COVER ASSEMBLY DETAILS

- Install the impact sensor using supplied tape at the location shown for the different series models.
- Clean the vehicle surface prior to adhering the impact sensor's double-sided tape. The supplied tape cannot be reused. Use new tape in case the sensor must be moved.
- Secure the excess cables to main harness using zip tie and flush cut extra tie.
- Impact sensor should be mounted parallel to the ground.
- Impact sensor should be oriented as shown in each of the sections.

Lift Link Retrofit Kit Option

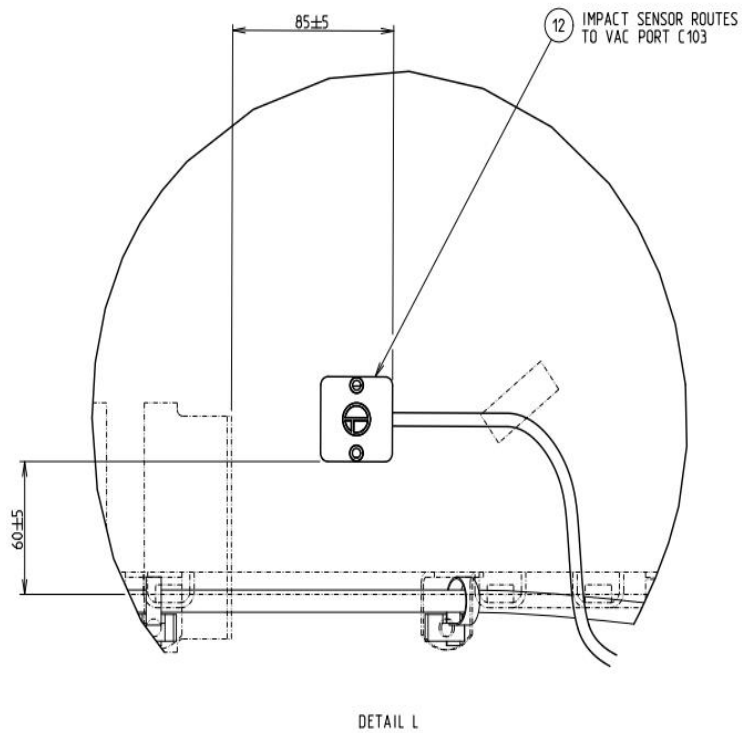
- Install the impact sensor using supplied tape at the location shown in red circle.



Lift Link Retrofit Kit Option

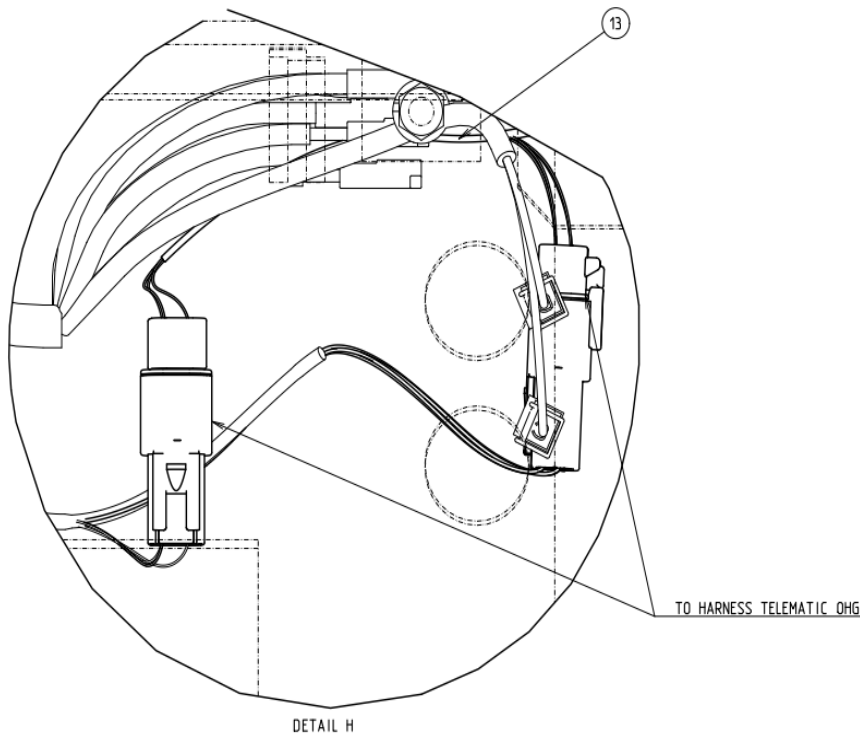
Logisnext

- Impact sensor location



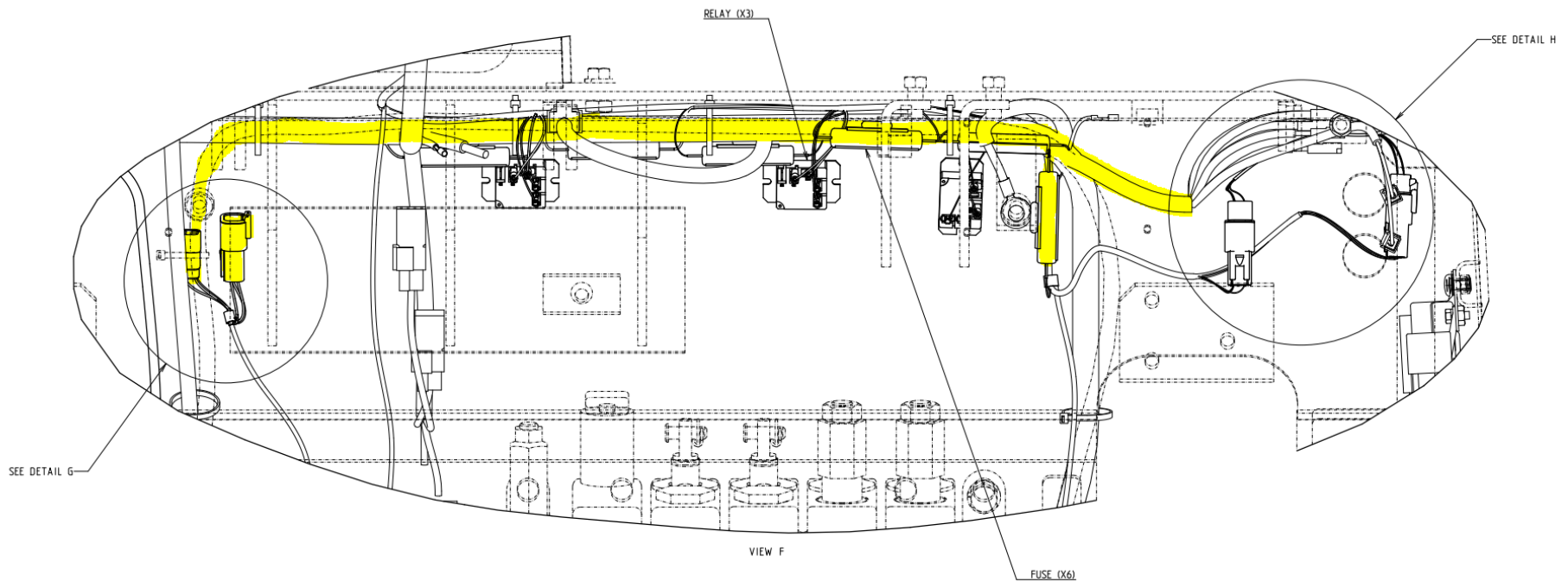
Lift Link Retrofit Kit Option

- Connect telematic overhead guard harness to telematic body harness as shown in detail H.



Lift Link Retrofit Kit Option

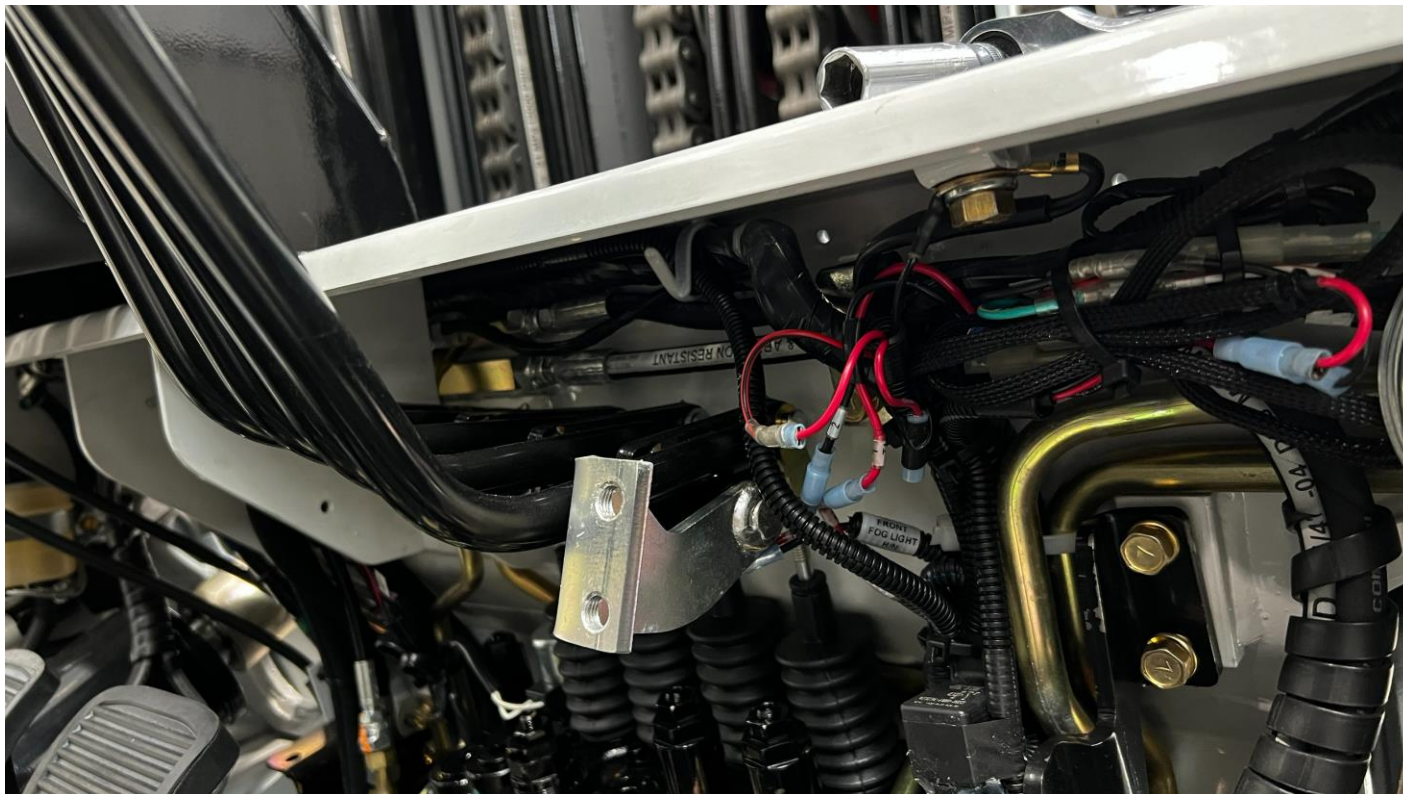
- Telematic body harness should be routed along frame harness and fastened to harness with zip ties. Be sure to flush cut the extra tie.



Lift Link Retrofit Kit Option

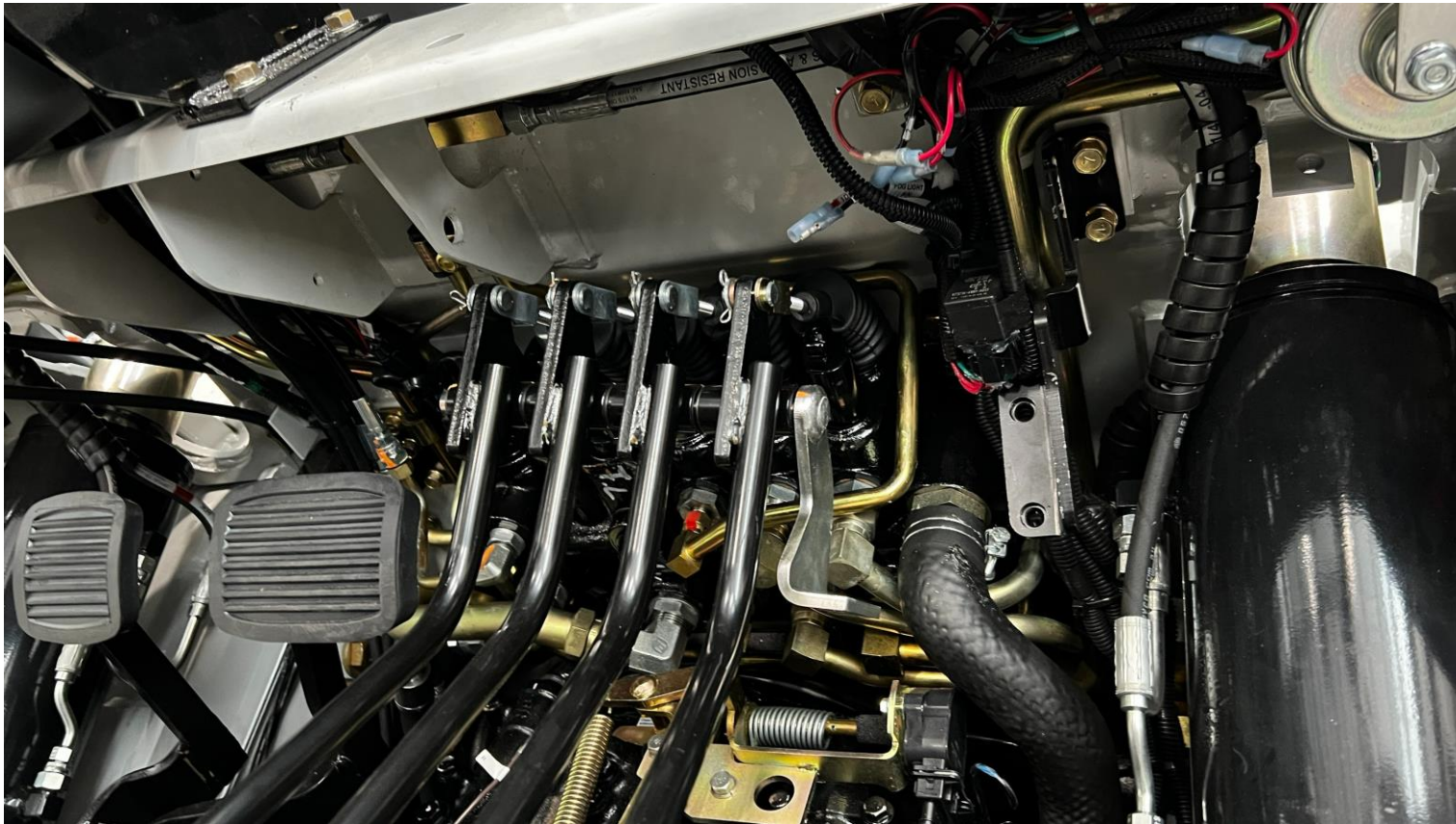
Logisnext

- Control handle mount support will have to be removed temporarily to feed harness through.



Lift Link Retrofit Kit Option

Logisnext



This document contains information to assist with scheduled or as-needed product service.
Always refer to all Safety and Cautionary Instructions and Warnings in the applicable Service Manual and Operation and Maintenance Manual.

Lift Link Retrofit Kit Option

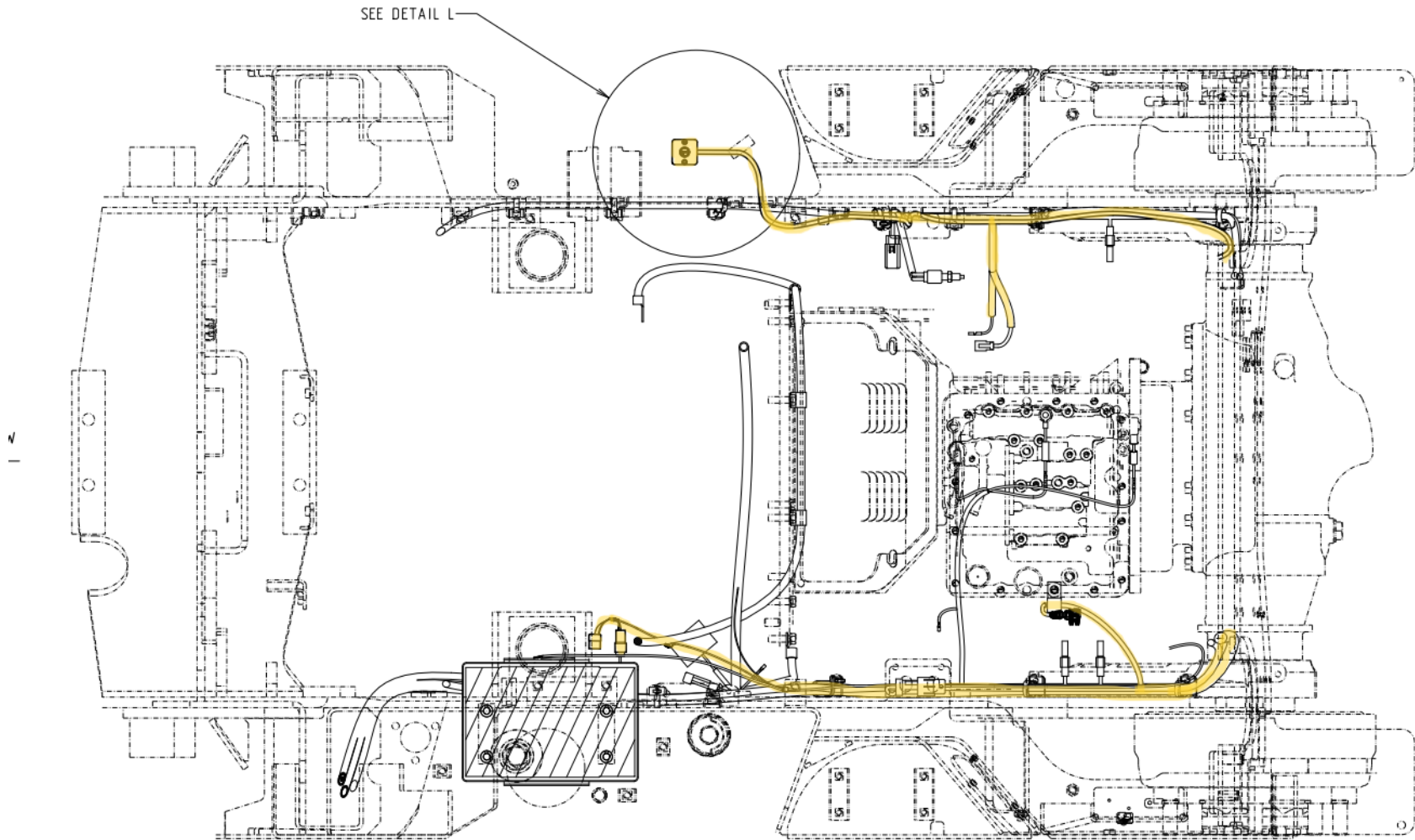
Logisnext



This document contains information to assist with scheduled or as-needed product service.
Always refer to all Safety and Cautionary Instructions and Warnings in the applicable Service Manual and Operation and Maintenance Manual.

Lift Link Retrofit Kit Option

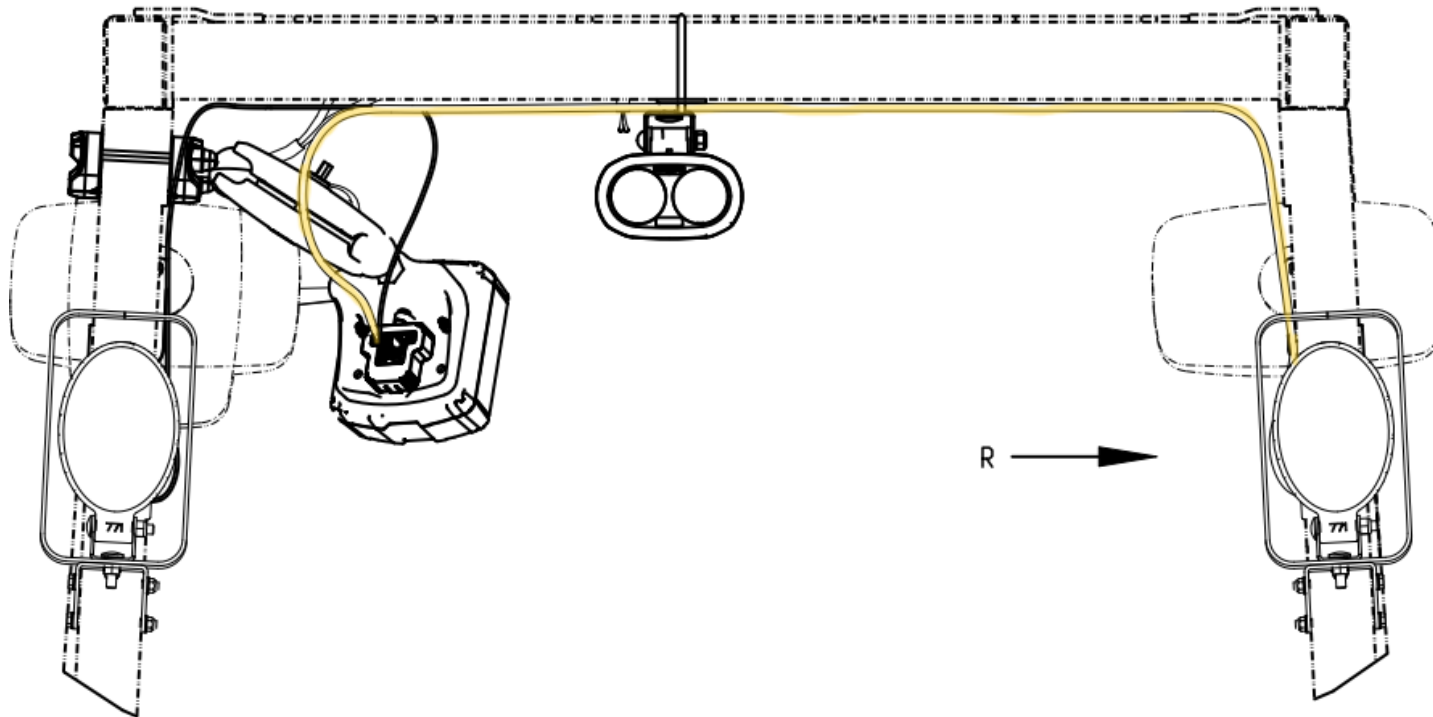
Logisnext



This document contains information to assist with scheduled or as-needed product service.
Always refer to all Safety and Cautionary Instructions and Warnings in the applicable Service Manual and Operation and Maintenance Manual.

Lift Link Retrofit Kit Option

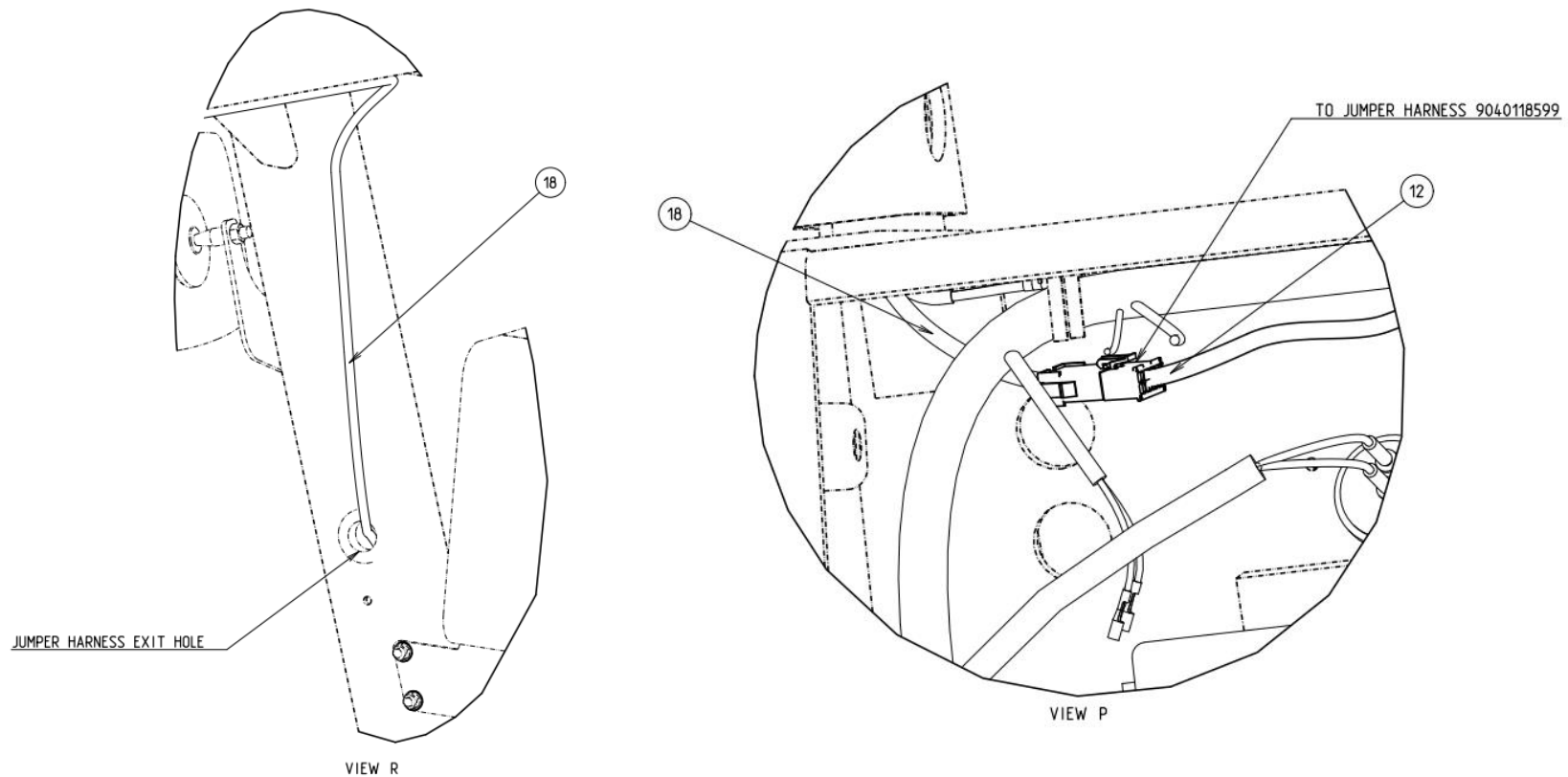
- Run impact sensor jumper harness along overhead guard and secure harness with zip ties. Be sure to flush cut the extra tie.



VIEW Q

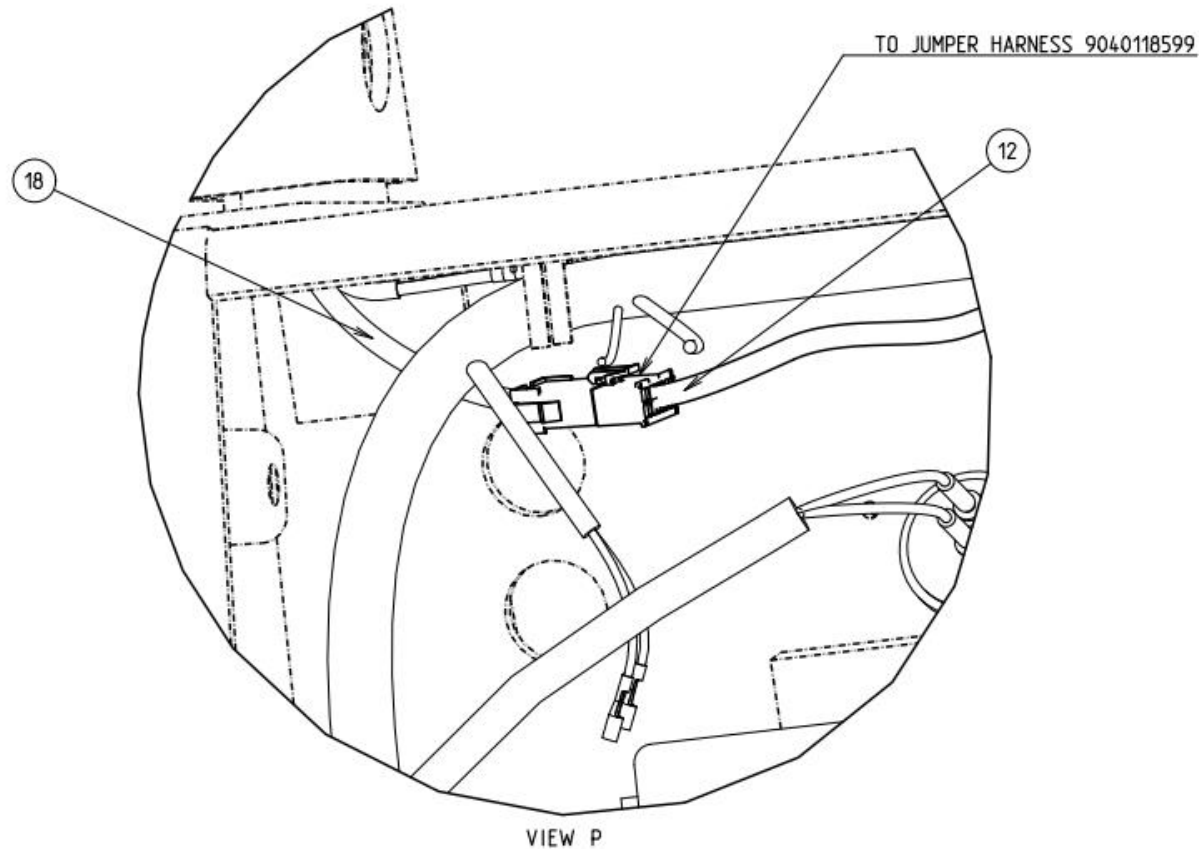
Lift Link Retrofit Kit Option

- Feed cable through exit hole on left side OHG leg and out the bottom. To prevent mechanical damage, add spiral wrap/wire loom to the entire exposed wire.



Lift Link Retrofit Kit Option

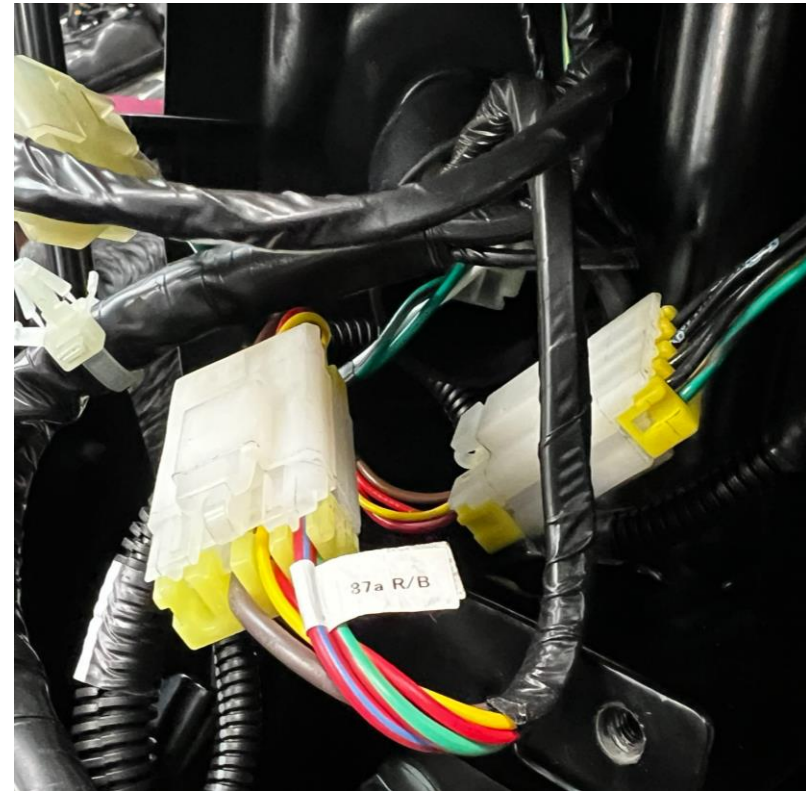
- Connect impact sensor harness to jumper harness as shown in detail P.



Lift Link Retrofit Kit Option

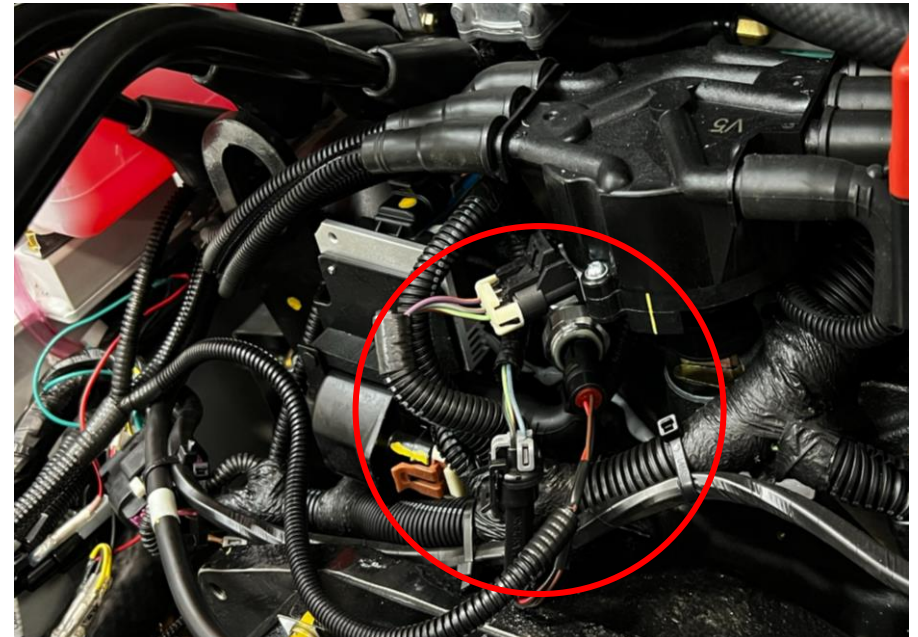
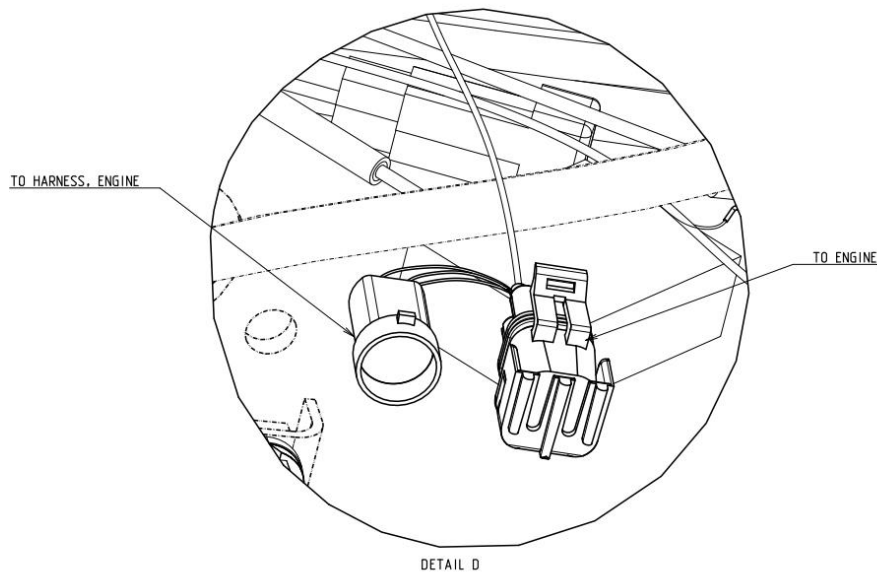
Logisnext

- Connect T-harnesses to key switch, FNR switch, and frame harness.



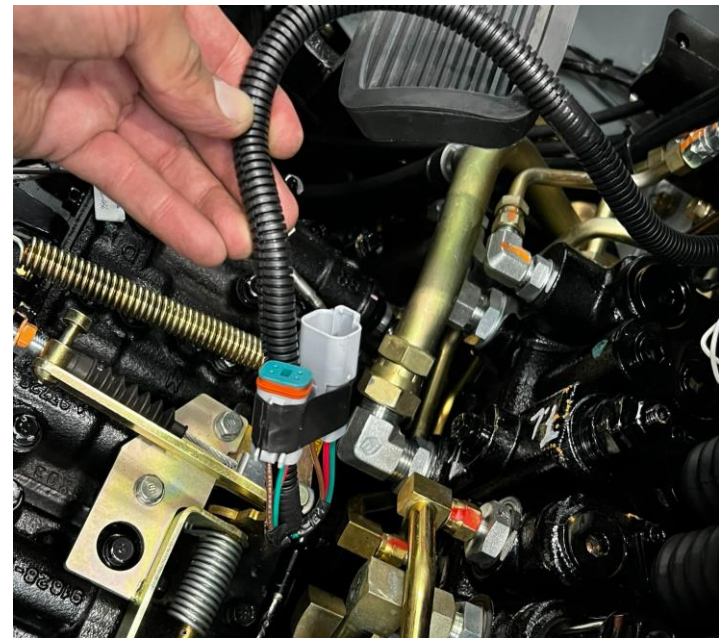
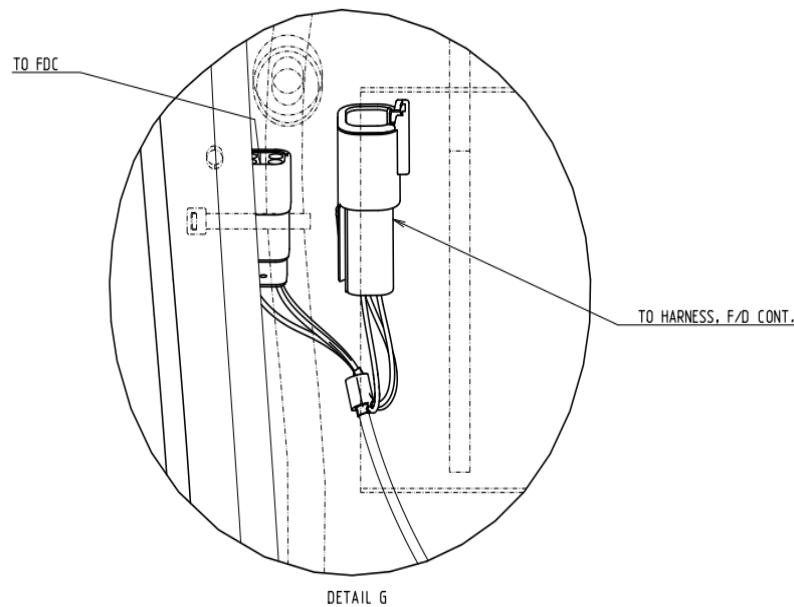
Lift Link Retrofit Kit Option

- Connect T-harness to engine oil pressure sensor and frame harness.



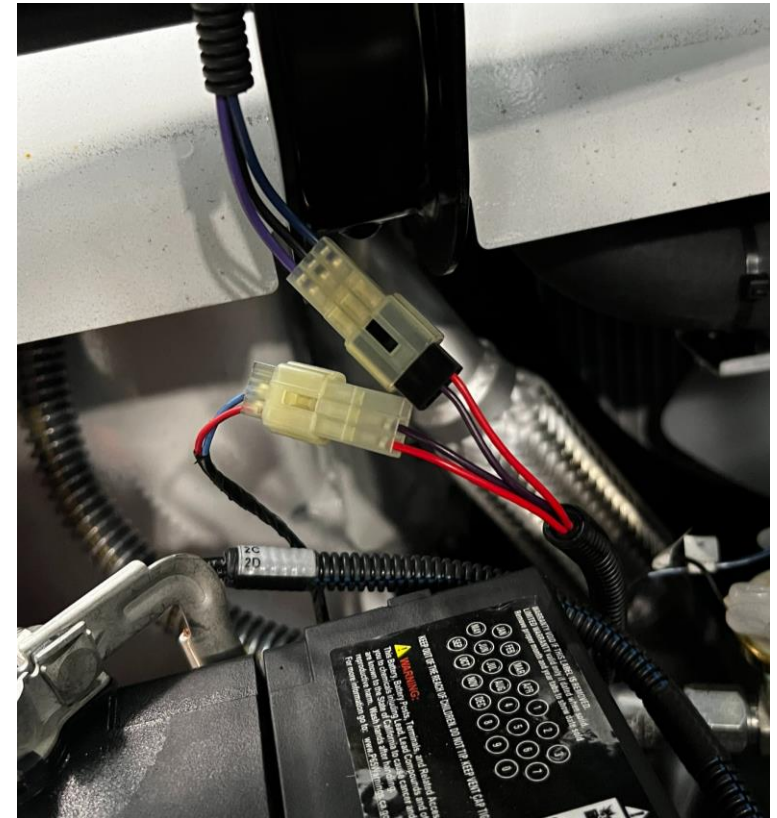
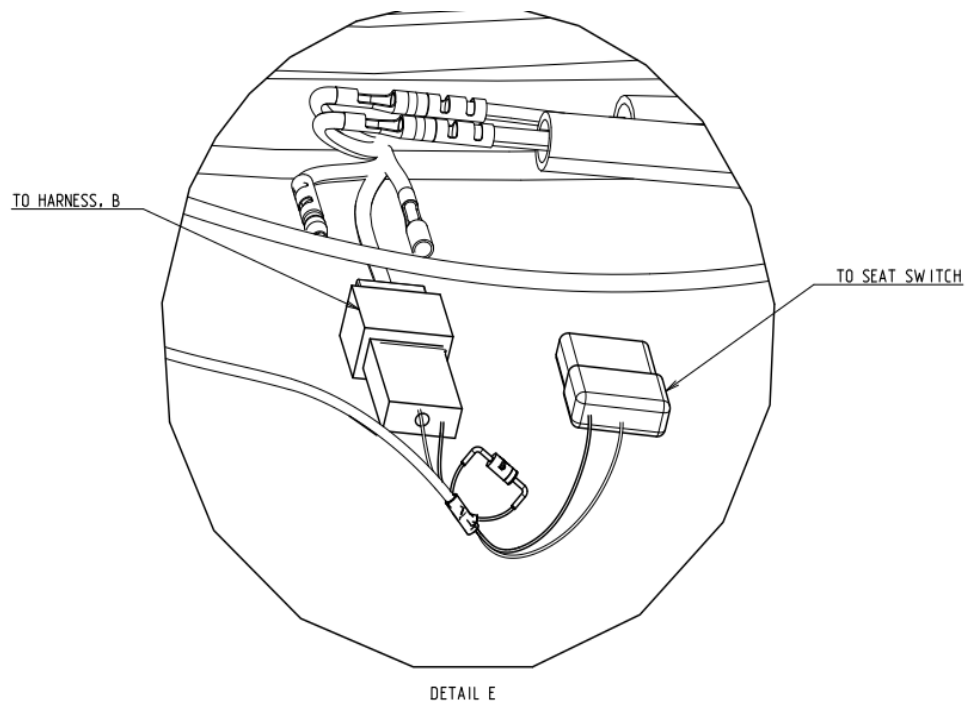
Lift Link Retrofit Kit Option

- If truck is equipped with Foot Directional Control, connect the FDC T-harness to the optional harness and foot control. If not equipped, secured T-harness to frame harness with band clips.



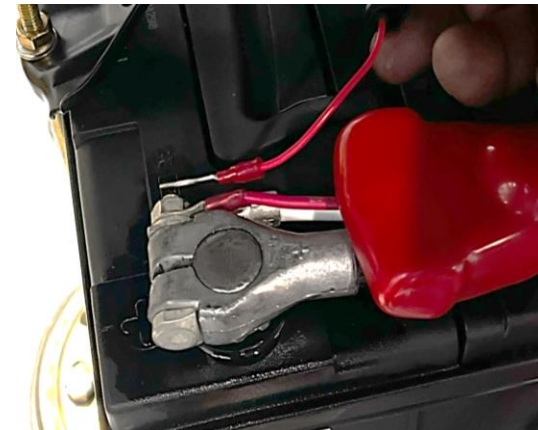
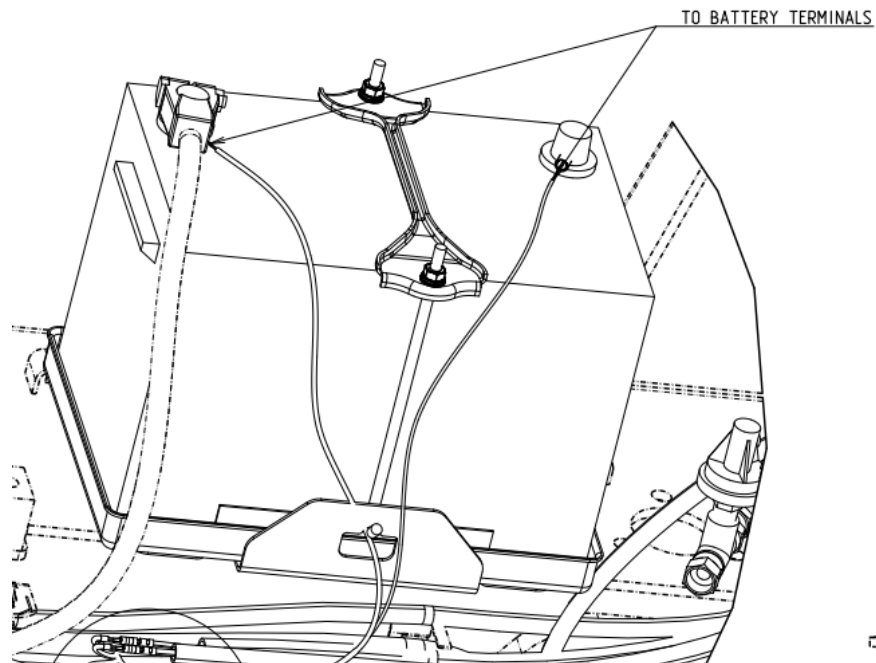
Lift Link Retrofit Kit Option

- Connect T-harness to seat switch harness and frame harness.



Lift Link Retrofit Kit Option

- Connect ground and power terminals on each of the battery terminals.



Hardware has been installed. Replace all hardware and panels.

Continue with Install Validation Steps to configure the VAC display and complete the installation of the Lift Link retrofit kit option.

[Lift Link Hardware User Guide](#) is also available at the Logisnext Dealer Portal.

Lift Link Retrofit Kit Option

Install verification steps

- It is recommended to have the vehicle's drive wheel(s) elevated prior to starting verification unless there is sufficient space to drive slowly in forward and reverse for up to 15 seconds at a time.



1. Press 2 on the keypad to select "Config" and then press the green ENTER button.



2. Use the keypad to enter **7262468** and then press the green ENTER button.



3. Use the keypad to enter **2378** and then press the green ENTER button.
(Note: truck able to run once this step is complete).

Lift Link Retrofit Kit Option



3. Use the keypad to enter **2378** and then press the green ENTER button.
(Note: truck able to run once this step is complete).



4. Press 6 on the keypad to select "**Hardware**" and then press the green ENTER button.



5. Press 1 on the keypad to select "**States**" and then press the green ENTER button.

Lift Link Retrofit Kit Option



6. Press 2 on the keypad and select “Vims” & then press the green ENTER button.



7. Repeat step 6



Steps 8 – 13 the R & AV numerical numbers must change when the desired function is activated.

8. Select “Motion” then press the Green enter button.

Lift Link Retrofit Kit Option



9. Press the throttle in the fwd. or rev travel direction. Verify that the **R & AV** numerical values change. Perform this step for both fwd. & rev throttle. Confirm **R & AV** values change press Red ESC button.



10. Toggle down to “LIFT” and press the GREEN enter button.



11. Press the up button and verify that the **R & AV** numerical numbers | change. Confirm the R & AV numbers change & then press the Red ESC button.

Lift Link Retrofit Kit Option



12. Toggle down to “SEAT” and press the GREEN enter button.



13. Depress the seat or step on the operator presence switch & verify the **R & AV** numerical numbers change. Confirm the **R&AV** number change & press the Red ESC button several times to return to the main start screen. You should see a key or wrench symbol.



14. Press the button with a key icon just below the green LED to log off.

Verify work is complete and accurate.

Questions?

If you have any questions regarding this HPK, contact your Service Manager or Technical Communicator prior to submitting a CRM Ticket to Lift Central[®].

[Open a CRM ticket](#)

© 2024 Mitsubishi Logisnext Americas Inc. All rights reserved, reproduction not permitted without written approval. CAT, CATERPILLAR, LET'S DO THE WORK, their respective logos, "Caterpillar Yellow", the "Power Edge", and Cat "Modern Hex" trade dress as well as corporate and product identity used herein, are trademarks of Caterpillar Inc., and may not be used without permission. All registered trademarks and all logos are the property of their respective owners, including Jungheinrich[®]. UniCarriers[®] is a registered trademark of Mitsubishi Logisnext Co., Ltd. ROCLA trade name, its respective wordmarks, and logos as well as corporate and product identity used herein, are trademarks of Mitsubishi Logisnext Europe Oy. Trademarks of any owner may not be used without permission.